

MITSUBISHI ELECTRIC

GOT2000 Series

Special Fitting for Compliance with ATEX Directive and KCs Regulation

User's Manual

GT25-12FIT-EXS
GT25-10FIT-EXS

Thank you for purchasing the GOT2000 Series.

Prior to use, please read both this manual and detailed manual thoroughly to fully understand the product.

MODEL	GT25-FITEXS-U-JE
MODEL CODE	1D7MR1
IB(NA)-0800559-A(1606)MEE	

GOT2000

SAFETY PRECAUTIONS

(Always read these precautions before using this equipment.)

Before using this product, please read this manual and the relevant manuals introduced in this manual carefully and pay full attention to safety to handle the product correctly.

The precautions given in this manual are concerned with this product. In this manual, the safety precautions are ranked as "WARNING" and "CAUTION".

WARNING Indicates that incorrect handling may cause hazardous conditions, resulting in death or severe injury.

CAUTION Indicates that incorrect handling may cause hazardous conditions, resulting in medium or slight personal injury or physical damage.

Note that the CAUTION level may lead to a serious accident according to the circumstances.

Always follow the precautions of both levels because they are important to personal safety.

Please save this manual to make it accessible when required and always forward it to the end user.

INSTALLATION PRECAUTIONS

CAUTION

- Be sure to shut off all phases of the external power supply used by the system before mounting or removing the GOT main unit from the panel. Not doing so can cause the unit to fail or malfunction.

CAUTION

- When mounting the GOT on the control panel, use a Phillips-head screwdriver No. 2 to tighten mounting screws within the specified torque range as shown below.
 - For standard fittings : 0.36 N·m to 0.48 N·m
 - For special fittings A and B : 0.42 N·m to 0.48 N·m
 Underlightening can cause the GOT to drop, short circuit or malfunction. Overtightening can cause a drop, short circuit or malfunction due to the damage of the screws or the GOT.

DISPOSAL PRECAUTIONS

CAUTION

- Dispose of this product as industrial waste.

TRANSPORTATION PRECAUTIONS

CAUTION

- When fumigants that contain halogen materials such as fluorine, chlorine, bromine, and iodine are used for disinfecting and protecting wooden packaging from insects, they cause malfunction when entering our products. Please take necessary precautions to ensure that remaining materials from fumigant do not enter our products, or treat packaging with methods other than fumigation (heat method). Additionally, disinfect and protect wood from insects before packing products.

Manual

The following shows the manual relevant to this product.

Manual name	Manual number (Model code)
GOT2000 Series User's Manual (Hardware) (Sold separately)	SH-081194ENG (1D7MJ5)

For detailed manuals and relevant manuals, refer to the e-Manual or PDF manuals stored in the DVD-ROM for the screen design software used.

The latest manuals are also available from MITSUBISHI ELECTRIC FA Global Website (<http://www.mitsubishielectric.com/fa/>).

© 2016 MITSUBISHI ELECTRIC CORPORATION

Packing List

After unpacking the box, check that the following products are included.

Model	Product	Quantity
GT25-12FIT-EXS	Special fitting A	3
	Special fitting B	1
	GOT2000 Series Special Fitting for Compliance with ATEX Directive and KCs Regulation User's Manual(This manual)	1
GT25-10FIT-EXS	Special fitting A	2
	GOT2000 Series Special Fitting for Compliance with ATEX Directive and KCs Regulation User's Manual(This manual)	1

Four standard fittings are included with the GOT.

1. OVERVIEW

This user's manual describes the special fittings used for the GOT to comply with the ATEX directive and KCs regulation.

The following shows the special fitting models and applicable GOTs.

Model	Screen sizes	Applicable GOTs
GT25-12FIT-EXS	12.1"	GT2712-STWD
GT25-10FIT-EXS	10.4"	GT2710-VTWD, GT2510-VTWD

The special fittings are used together with the standard fittings to fix the GOT.

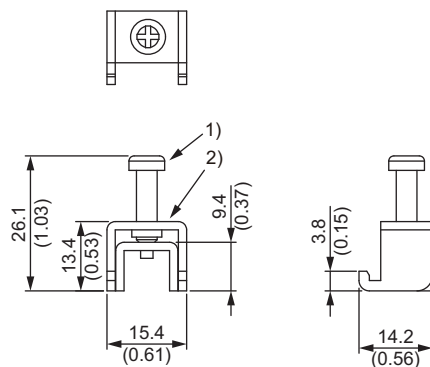
2. PECIFICATIONS

The following shows the performance specifications of the special fittings. The general specifications of the special fittings are the same as those of the GOT. For the general specifications of the GOT, refer to the GOT2000 Series User's Manual (Hardware).

Item	Description	
Material	SPHC-P 12.0	
Mounting screw size	For special fitting A	M4 × 17
	For special fitting B	M4 × 15
Weight	GT25-12FIT-EXS	0.04kg
	GT25-10FIT-EXS	0.02kg

3. EXTERNAL DIMENSIONS

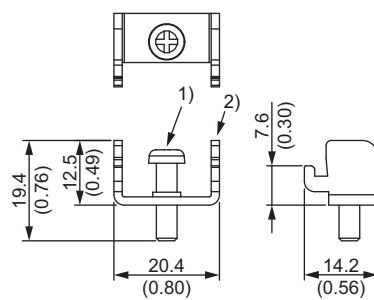
3.1 Special Fitting A



Unit : mm (inch)

No.	Name	Description
1)	Mounting screw	For fixing the GOT to the control panel
2)	Fitting	For fixing the GOT to the control panel

3.2 Special Fitting B



Unit : mm (inch)

No.	Name	Description
1)	Mounting screw	For fixing the GOT to the control panel
2)	Fitting	For fixing the GOT to the control panel

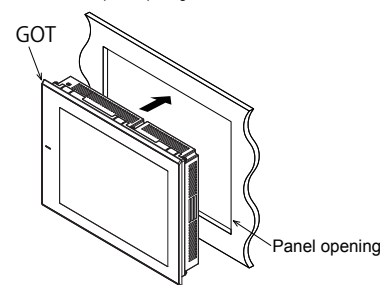
4. INSTALLATION AND REMOVAL PROCEDURE

4.1 Installing the Special Fitting

Install the GOT in the following procedure. For the panel cutting dimensions, refer to the GOT2000 Series User's Manual (Hardware).

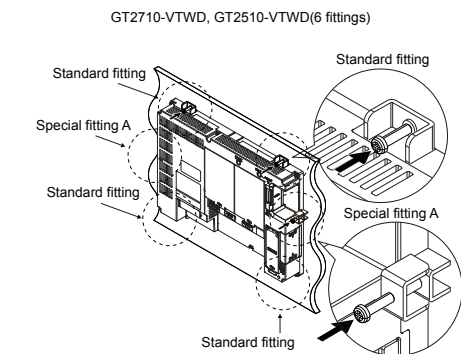
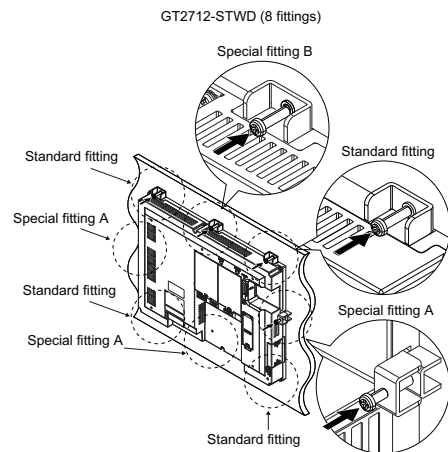
The following shows an installation example for the horizontal direction. For the vertical installation, install the GOT so that the vertical installation arrow printed on the GOT rear face points upward.

1) Insert the GOT into the panel opening.



2) Align the fittings with the installation holes on the GOT, and install the fittings. Fasten the fittings in the following order.

- GT2712-STWD
 - Standard fitting → special fitting A → special fitting B
 - GT2710-VTWD, GT2510-VTWD
 - Standard fitting → special fitting A
- Use a Phillips-head screwdriver No. 2 to tighten the mounting screws within the specified torque range as shown below.
- For standard fittings : 0.36 N·m to 0.48 N·m
 - For special fittings A and B : 0.42 N·m to 0.48 N·m
- Overtightening may cause the GOT front panel to deform, resulting in the protective sheet wrinkles.



4.2 Removing the Special Fitting

Remove the special fittings in the reverse of the installation procedure.

Warranty

Mitsubishi will not be held liable for damage caused by factors found not to be the cause of Mitsubishi; machine damage or lost profits caused by faults in the Mitsubishi products; damage, secondary damage, accident compensation caused by special factors unpredictable by Mitsubishi; damages to products other than Mitsubishi products; and to other duties.

For safe use

- This product has been manufactured as a general-purpose part for general industries, and has not been designed or manufactured to be incorporated in a device or system used in purposes related to human life.
- Before using the product for special purposes such as nuclear power, electric power, aerospace, medicine or passenger movement vehicles, consult with Mitsubishi.
- This product has been manufactured under strict quality control. However, when installing the product where major accidents or losses could occur if the product fails, install appropriate backup or failsafe functions in the system.

Country/Region	Sales office/Tel
USA	Mitsubishi Electric Automation, Inc. 500 Corporate Woods Parkway, Vernon Hills, IL 60061, U.S.A. Tel: +1-847-478-2100
Brazil	Mitsubishi Electric do Brasil Comercio e Servicos Ltda. Rua Jussara, 1750- Bloco B Anexo, Jardim Santa Cecilia, CEP 06465-070, Barueri - SP, Brasil Tel: +55-11-4689-3000
Mexico	Mitsubishi Electric Automation, Inc. Mexico Branch Mariano Escobedo #69, Col. Zona Industrial, Tlanepantla Edo. Mexico, C.P.54030 Tel: +52-55-3067-7511
Germany	Mitsubishi Electric Europe B.V. German Branch Mitsubishi-Electric-Platz 1, 40882 Ratingen, Germany Tel: +49-2102-486-0
UK	Mitsubishi Electric Europe B.V. UK Branch Travelers Lane, Hatfield, Hertfordshire, AL10 8XB, U.K. Tel: +44-1707-28-8780
Italy	Mitsubishi Electric Europe B.V. Italian Branch Centro Direzionale Colleoni - Palazzo Siro, Viale Colleoni 7, 20864 Agrate Brianza (Milano), Italy Tel: +39-039-60531
Spain	Mitsubishi Electric Europe B.V. Spanish Branch Carretera de Rubi 76-80- Apdo 420, 08190 Sant Cugat del Valles (Barcelona), Spain Tel: +34-935-95-3131
France	Mitsubishi Electric Europe B.V. French Branch 25, Boulevard des Bouvets, 92741 Nanterre Cedex, France Tel: +33-1-55-68-55-68
Czech	Mitsubishi Electric Europe B.V. Czech Branch Avenit Business Park, Radlicka 751/113e, 158 00 Praha 5, Czech Republic Tel: +420-251-551-470
Turkey	Mitsubishi Electric Turkey A.S. Umraniye Branch Serifali Mahallesi Nispetiye Sokak No:5, TR-34775 Umraniye / Istanbul, Turkey Tel: +90-216-526-3990
Poland	Mitsubishi Electric Europe B.V. Polish Branch ul. Krakowska 50, 32-083 Balice, Poland Tel: +48-12-347-65-00
Russia	Mitsubishi Electric (Russia) LLC St. Petersburg Branch Piskarevsky pr. 2, bld 2, lit "S", BC "Benus", office 720; RU-195027 St. Petersburg, Russia Tel: +7-812-633-3497
South Africa	Adroit Technologies 20 Waterford Office Park, 189 Witkoppen Road, Fourways, Johannesburg, South Africa Tel: +27-11-658-8100
China	Mitsubishi Electric Automation (China) Ltd. No. 1386 Hongqiao Road, Mitsubishi Electric Automation Center, Shanghai, China Tel: +86-21-2122-3030
Taiwan	SETSUYO ENTERPRISE CO., LTD. 6F, No. 105, Wugong 3rd Road, Wugong District, New Taipei City 24889, Taiwan Tel: +886-2-2299-2499
Korea	Mitsubishi Electric Automation Korea Co., Ltd. 7F-9F, Gangseo Hangang Xi-tower A, 401, Yangcheon Gangseo-Gu, Seoul 07528, Korea Tel: +82-2-3660-9530
Singapore	Mitsubishi Electric Asia Pte. Ltd. 307 Alexandra Road, Mitsubishi Electric Building, Singapore 159943 Tel: +65-6473-2308
Thailand	Mitsubishi Electric Factory Automation (Thailand) Co., Ltd. 12th Floor, Siv City Building, Office Tower 1, No. 899/19 and 20 Rama 3 Road, Kwaeng Bangpongngang, Khet Yanmawa, Bangkok 10120, Thailand Tel: +66-2682-6522 to 31
Indonesia	PT. Mitsubishi Electric Indonesia Gedung Jaya 11th Floor, JL. MH. Thamrin No.12, Jakarta Pusat 10340, Indonesia Tel: +62-21-2192-6461
Vietnam	Mitsubishi Electric Vietnam Co., LTD. Ho Chi Minh Head Office Unit 01-04, 10th Floor, Vincom Center, 72 Le Thanh Ton Street, District 1, Ho Chi Minh City, Vietnam Tel: +84-8-3910-5945
India	Mitsubishi Electric India Pvt. Ltd. Pune Branch Emerald House, EL-3, J Block, M.I.D.C., Bhosari, Pune - 411026, Maharashtra, India Tel: +91-20-2710-2000
Australia	Mitsubishi Electric Australia Pty. Ltd. 348 Victoria Road, P.O. Box 11, Rydalmere, N.S.W. 2116, Australia Tel: +61-2-9684-7777

MITSUBISHI ELECTRIC CORPORATION

HEAD OFFICE : TOKYO BUILDING, 2-7-3 MARUNOUCHI, CHIYODA-KU, TOKYO 100-8310, JAPAN
NAGOYA WORKS : 1-14, YADA-MINAMI 5-CHOME, HIGASHI-KU, NAGOYA, JAPAN

When exported from Japan, this manual does not require application to the Ministry of Economy, Trade and Industry for service transaction permission.

Specifications subject to change without notice.
Printed in Japan, June 2016.